

# AL512SW



- CEC Compliance
- RoHS Compliance
- IEC320 C14
- Over Voltage Protective Installation
- Short Circuit Protection Installation
- Over Current Protective Installation
- 100% Burn-In
- 100% Hi-Pot Tested
- LED Indication
- MTBF: >30,000 hours

MIN. LOAD (I <sub>o</sub> )	MAX. LOAD (I <sub>o</sub> )	LOAD REGULATION	LINE REGULATION	RIPPLE & NOISE
0	5A	± 5%	± 1%	250mV

**NOTE:**

1 : Ripple & noise is measured by using 20MHz bandwidth limited oscilloscope and terminated each output with a 0.1uF ceramic capacitor & parallel with 47uF aluminum capacitor at full load and nominal line.

2 : Line regulation is defined by changing ±10% of input voltage from nominal line at rated load.

### OUTPUT

- Over Voltage Protection      Auto Recovery
- Short Circuit Protection      Auto Recovery

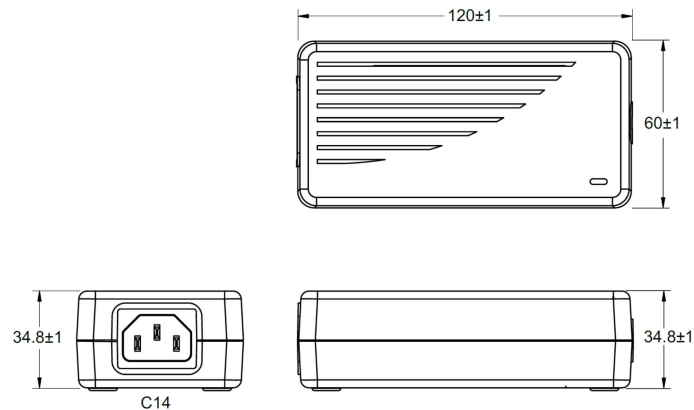
### ENVIRONMENTAL

- Operating Temperature      0 to 40°C
- Storage Temperature      -20 to 85°C
- Storage Humidity      5% to 95%

### SAFETY

- UL/cUL, TUV, CB, CE, FCC, CCC

## Mechanical Specification



- Case Size: 120L x 60W x 34.8H (mm)
- AC Inlet: C14
- Weight: 280g