

DWDR IR Tube Camera

12Bits Sony Effio-E Digital Wide Dynamic Range Camera HS-CT7W72/HS-CT7W73

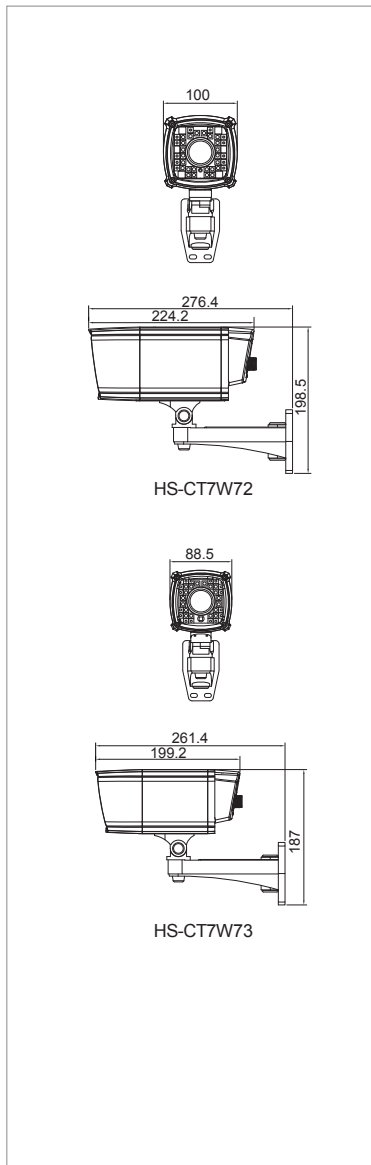


HS-CT7W72



HS-CT7W73

Dimension Unit : mm



- SONY DWDR (Digital Wide Dynamic Range) Total Solution.
- 700 TV Lines High Resolution.
- Varifocal Lens Adjustable Externally.
- Auto IRIS Lens Built-in.
- Long Distance Viewing for 40 / 80M.
- Various Angle LED Combination:
 - Uniform IR Light Distribution for optimum viewing angle.
- Removable IR Cut Filter Built-in, accurate focus for Day & Night.
- Photodiode Design for Accurate IR LED Trigger Activation.
- Double Glass: Effectively Reducing the Internal Reflection.
- Aluminum Alloy Housing for Better Heat Dissipation.
- 2D Noise Reduction.
- OSD and control cable optional.

Specifications

Model	HS- CT7W72	HS- CT7W73
Pick up device	1/3" SONY Super HAD CCD II	
Total Pixels	NTSC:1028(H)x508(V) PAL:1028(H)x596(V)	
Effective Pixels	NTSC : 976(H)x494(V) PAL :976(H)x582(V)	
Resolution	700 TV lines	
Synchronizing System	Internal	
Scanning System	2:1 Interlace	
S/N Ratio	50dB (AGC OFF)	
Electronic Shutter	Auto 1 / 60 (1/50) ~1/100,000 sec	
Min. Illumination	0.15Lux(F2.0, AGC x1)	
Video Output	1.0 Vp-p / 75 ohm (BNC)	
IR Distance	80M(42pcs IR LED : 36pcs Piranha / 6pcs Reflection)	40M (34pcs IR LED : 26pcs Piranha / 8pcs Laser)
IR trigger	3.1lux / 3.7lux IR On / Off	
ATR Function	WDR : OFF / ON	
AGC	AGC / OFF	
BLC	BLC / HLC / OFF	
White Balance	ATW / PUSH / User1 / User2 / ANTI CR / Manual / PUSH Lock	
Lens Type	Standard : Varifocal Lens6~50mm / F1.6 Optional : Varifocal Lens 9~22mm / F1.6	Standard : Varifocal Lens:2.8~12mm / F1.4 Optional : Varifocal Lens:9 ~ 22 mm / F1.6
OSD Control	Button	
Day & Night	Auto / Color / B&W	
Motion Detection	ON / OFF (24x16 Zones)	
Privacy	ON / OFF (4 Zones Programmable, Mosaic)	
Picture-Effect	Mirror	
Picture Adjust	Brightness / Contrast / Sharpness / Hue / Gain	
DNR (2DNR)	Y/C / C / Y / OFF	
Camera title	ON / OFF	
Language	English / Japanese / German / Chinese / French / Russian / Portuguese / Spanish	
Power Source	Standard : DC12V ±10% / 1.5 A / AC 24V Optional : DC12V ±10% / 1.5 A ; AC 110V~240V	Standard : DC12V±10% / 1A / AC 24V Optional : DC12V±10% / 1A
Power Consumption	DC12V : 12W / AC24V : 11.5W DC12V : 6.5W AC110V : 10W ; AC240V : 10.5W	DC12V : 9W / AC24V:8.5W DC12V : 6.5W
Current	DC12V : 1A / AC24V : 790mA DC12V : 530mA AC110V :210mA ; AC240V : 120mA	DC12V : 730mA / AC24V : 600mA DC12V : 540mA
Operating Temperature	-10°C ~ 50°C (14°F ~ 122°F)	
Storage Temperature	-20°C ~ 70°C (-4°F ~ 158 °F)	
Dimension	100(W)x198.5(H)x224.2(D)mm	88.5(W) x 187(H) x 199.2(D)mm
Weight	N.W./G.W.: 1.74kg / 2.15kg	N.W./G.W.: 1.5kg / 1.9kg
Weatherproof	IP67	