

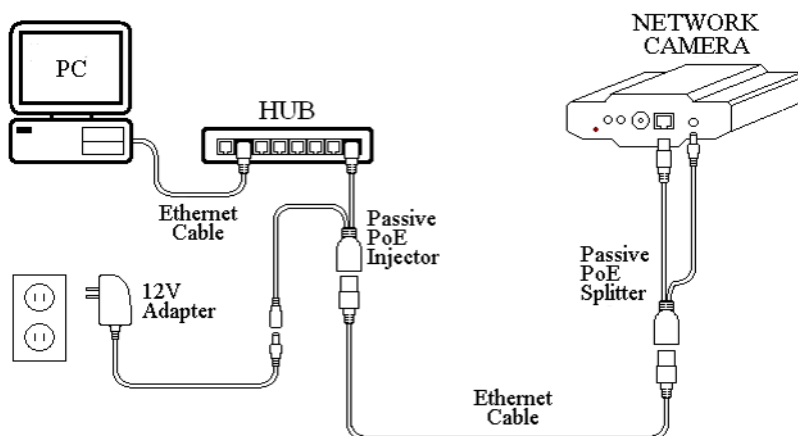
PASSIVE POE KIT



FEATURES

1. One network cable only to transfer both power and data and reduce the wiring cost
2. No need to purchase expensive PoE special equipment
3. Low price, handy setup, and easy to use

SYSTEM DIAGRAM



SPECIFICATIONS*

Input voltage	5V~57V
Maximum current load	800mA
DC output/Input terminal specification	ϕ 5.5*2.1
Maximum transfer rate	100M bits/sec
Maximum transfer distance**	under 350mA: 30M
	350mA~500mA: 20M
	over 500mA: 10M
Operating temperature	0° to 40°
Storage temperature	-40° to 70°
Operating humidity	10% to 80% RH
Storage humidity	5% to 90% RH

*The specifications are subject to change without notice.

**The actual transfer distance may differ depending on the network cables or equipment used.